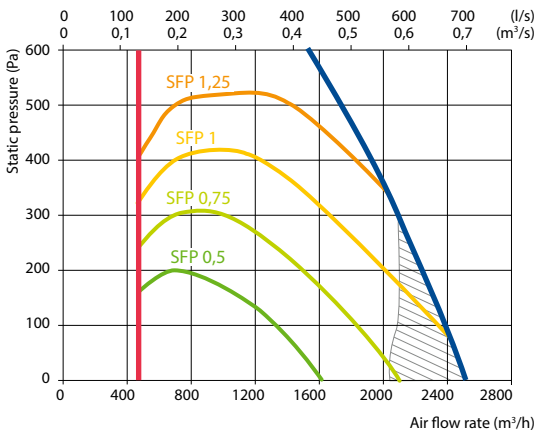


# Verso R 2000 F C5

Nominal air flow according to ErP 2018, m <sup>3</sup> /h	2070
Nominal air flow according to ErP 2018, l/s	575
Electric air heater capacity, kW / Δt, °C	7,5/9,3
Supply voltage HE, V	3~400
Supply voltage HW, V	1~230
Maximal operating current HE, A	16,8
Maximal operating current HW, A	6,3
Power supply cable E, mm <sup>2</sup>	5×2,5
Power supply cable W, mm <sup>2</sup>	3×1,5
Electric power input of the fan drive at maximum flow rate, W	670
Noise power level, L <sub>WA</sub> , dB(A)	59
Noise pressure level, L <sub>pA</sub> , dB(A), (3 m)	48
Filters dimensions B×H×L, mm	560×420×96
Unit dimensions B×H×L, mm	1210×527×2060
Panel thickness, mm	50
Maintenance space, mm	400
Unit weight, kg	280



## Performance

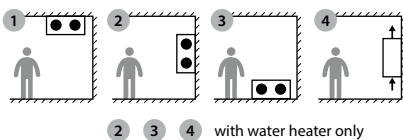


Does not conform to ErP2018 requirements

## Accessories

Closing damper	AGUJ-M-355-LF24/LM24
Silencer	ODA/EHA AGS-355-100-900-M
	SUP/ETA AGS-355-100-1200-M
Water heater	DH-355
PPU	PPU-HW-3R-15-1,6-W2
Water cooler	DCW-2,0-13
Water heater-cooler	DHCW-355
2-way valve	VVP47.20-4,0+SSF161.05HF
DX cooler	DCF-2,0-14
Cooling unit	MOU-48HFN8a+KA8140

## Mounting positions



## Temperature efficiency

	Winter					Summer		
Outside temperature, °C	-23	-15	-10	-5	0	25	30	35
After heat exchanger, °C	14,9	16,2	17,0	17,8	18,5	22,5	23,3	24,0
Indoor +22 °C, 20 % RH								

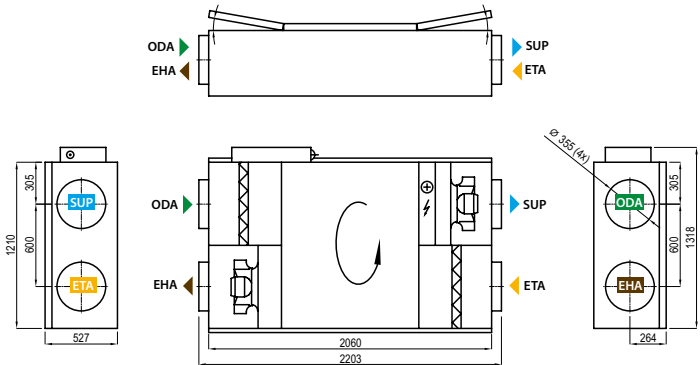
## Hot water duct air heater \*

	Winter		
Water temperature in/out, °C	80/60	70/50	60/40
Capacity, kW	5,0	5,0	5,0
Flow rate, dm <sup>3</sup> /h	221	220	219
Pressure drop, kPa	12,2	12,3	12,4
Temperature in/out, °C	14,9/22		
Maximal capacity, kW	17,2	13,9	10,5
Connection, "	½		

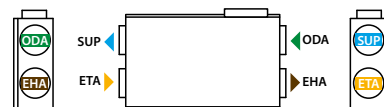
\* Option

## Shown as right (R1)

View from inspection side



## Shown as left (L1)



▶ ODA – outdoor intake    ▶ SUP – supply air    ▶ ETA – extract indoor    ▶ EHA – exhaust air